

CADIZ WALL HUNG BASIN

Cat. No
4-9160



Faucet Not Included



Mounting hardware

W: 12-1/4"
D: 9-1/4"
H: 5"

Interior Dimensions:

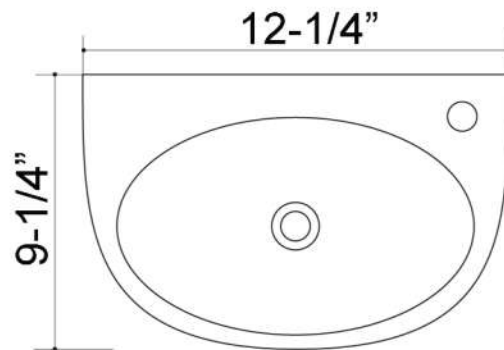
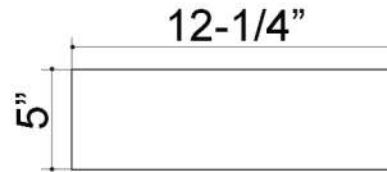
Basin Interior: 9-7/8" x 5-7/8"
Basin Depth: 3-1/4"
Back of basin to center of faucet: 1-5/8"
Back of basin to center of drain: 5-3/8"
Mount holes cc: 7-7/8"
Faucet hole diameter: 1-3/8"

Features:

- ▶ Wall hung basin
- ▶ Made of Vitreous China
- ▶ Pre-drilled with 1-3/8" single faucet hole on the right
- ▶ No overflow
- ▶ Mounting hardware included
- ▶ Drain not provided

Colors
WH White

Meets or exceeds the following specifications: ASME A112.19.2 2013 and CSA B45.1-13 for ceramic plumbing fixtures.



Dimensions of fixture are nominal and may vary within the range of tolerances established by ASME Standard A112.19.2.2013 Dimensions and specifications subject to change without notice.